



## INTRODUCTION SAVE ENERGY WITH NIVISS

The Ground series was designed using modern simulation methods in order to obtain the highest product quality. Ground series fixtures are made of top-quality materials such as marine grade steel, high-purity glass for optical applications, and modern CREE® LEDs.

- Based on CREE® LEDs
- 230V AC / IP67
- 12-24V / IP68
- Made of 316L steel
- Power: 20W / 18W
- Intended for outdoor use!
- 5-year warranty
- CRI ≥ 80, ≥ 90 on request
- Round or square front
- Also available with an aluminum body
- Fits with DN125 Pipe

## APPLICATIONS The Niviss Ground Medium Premium fixture can be used for lighting many places and objects such as:

- parks
- gardens
- squares
- premises
- plants
- exterior walls

**SPECIFICATION**

## High Voltage version

LIGHT COLOUR	COMFORT WHITE	WARM WHITE	NEUTRAL WHITE	COOL WHITE
Colour Temperature*	2700 ± 150 K	3000 ± 150 K	4000 ± 250 K	5000 ± 250 K
Effective Lumen Output**	1450 lm	1550 lm	1650 lm	1765 lm
Risk group****	RG1	RG1	RG2	RG2
CRI	≥ 80			
Viewing Angle [FWHM]	25°, 50°			
Input Voltage	230V AC 50Hz			
Power Consumption	20W			
Operating Temperature	-20°C + +55°C			
Dimensions	Ø148mm or 148x148mm			
Cable Type	H07RN-F 3G1			
Cable Length	0.5m			
IP Rating	IP67			
Load	1000 kg			
Appilance class	Class I			
Lifetime***	≥ 60 000 h			

\* Other CRI, CCTs and colours available on request.

\*\* Source performance in real-life conditions at Ta=25°C; includes optical losses; the tolerance of source lumen output is 5%.

\*\*\* Approximate lifetime of LEDs declared by Cree® at Ta=25°C (for 90% of initial light output) and other electronic components

\*\*\*\*According to EN 62471:2008

## Low Voltage version

LIGHT COLOUR	COMFORT WHITE	WARM WHITE	NEUTRAL WHITE	COOL WHITE
Colour Temperature*	2700 ± 150 K	3000 ± 150 K	4000 ± 250 K	5000 ± 250 K
Effective Lumen Output**	1450 lm	1550 lm	1650 lm	1765 lm
Risk group****	RG1	RG1	RG2	RG2
CRI	≥ 80			
Viewing Angle [FWHM]	25°, 50°			
Input Voltage	12V/24V DC			
Power Consumption	18W			
Operating Temperature	-20°C + +55°C			
Dimensions	Ø148mm			
Cable Type	H07RN-F 2X1.5			
Cable Length	0.5m			
IP Rating	IP68			
Load	1000 kg			
Appilance class	Class III			
Lifetime***	≥ 60 000 h			

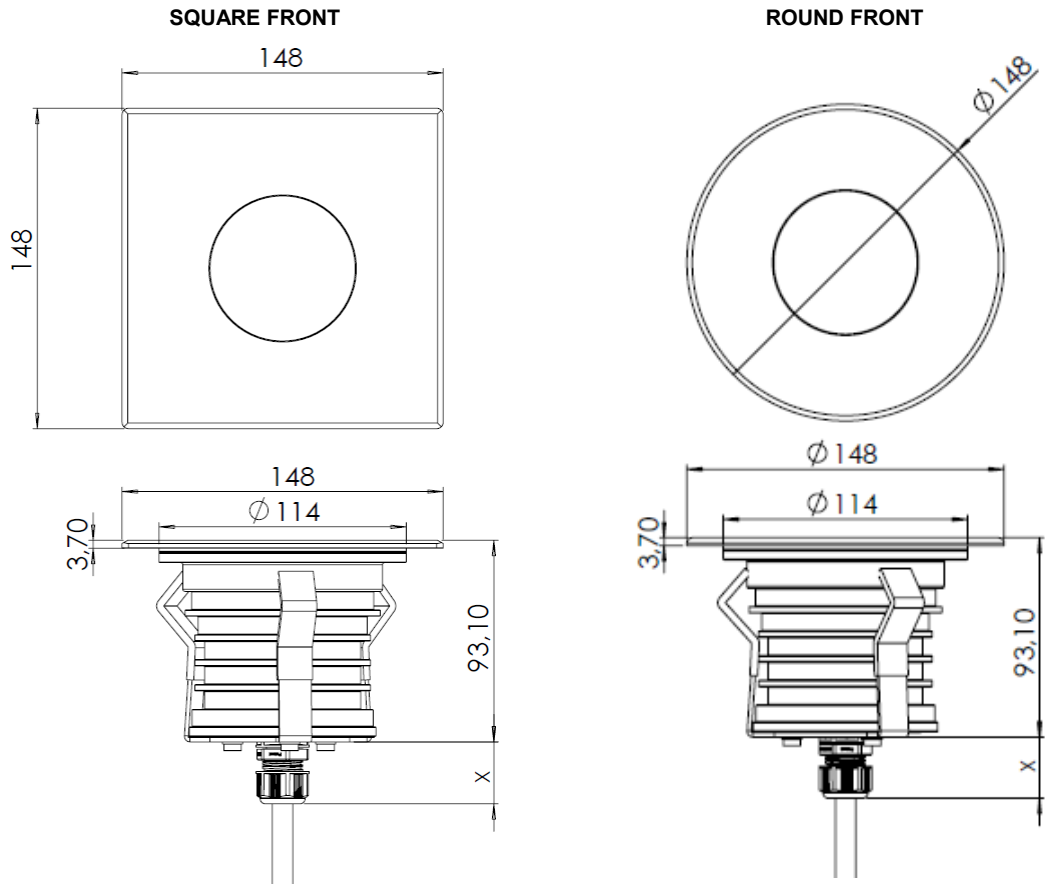
\* Other CRI, CCTs and colours available on request.

\*\* Source performance in real-life conditions at Ta=25°C; includes optical losses; the tolerance of source lumen output is 10%.

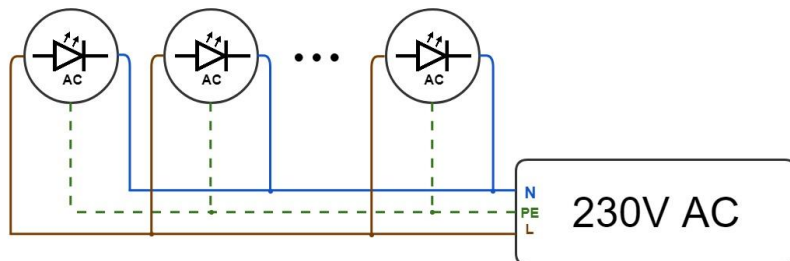
\*\*\* Approximate lifetime of LEDs declared by Cree® at Ta=25°C (for 90% of initial light output) and other electronic components

\*\*\*\*According to EN 62471:2008

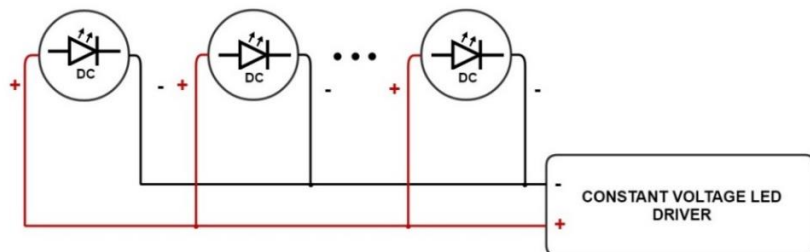
**DIMENSIONS[mm]**



**ELECTRICAL INSTALLATION**



Connecting to the power supply should be done when the power supply is off.



Connecting to the power supply should be done when the power supply is off.

**ORDER CODE  
FORMAT**

**GROUND MEDIUM  
PREMIUM**

FAMILY

LV - 18 W  
HV - 20 W  
POWER

25 - 25 degrees  
50 - 50 degrees  
FWHM ANGLE

SA - Steel front and aluminum body  
SS - Steel front and body  
MATERIAL OF THE FRONT / BODY

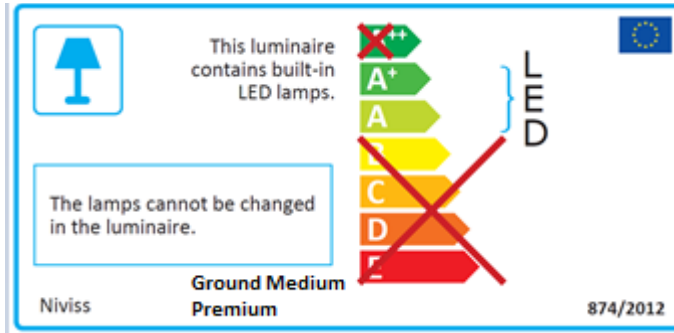
- 20 - VW - 25 - SQ - SA - LV

CCT  
VW - 2700K  
WW - 3000K  
NW - 4000K  
CW - 5000K

FRONT PLATE  
SQ - Square  
RD - Round

SUPPLY VOLTAGE  
LV - 12V/24V DC  
HV - 230V AC, 50Hz

**ENERGY LABEL**



**ENVIRONMENTAL  
CAUTION**



**Caution!**

It is prohibited to dispose of obsolete and waste electrical and electronic equipment together with regular household wastes. They should be properly sorted and recycled. Old electrical and electronic equipment should be returned to a waste collection point established by a waste-management service. Waste electrical and electronic equipment can be broken down to base materials and then recycled. For more information regarding waste management please contact your local authorities, waste-management service or the seller of electrical and electronic devices.